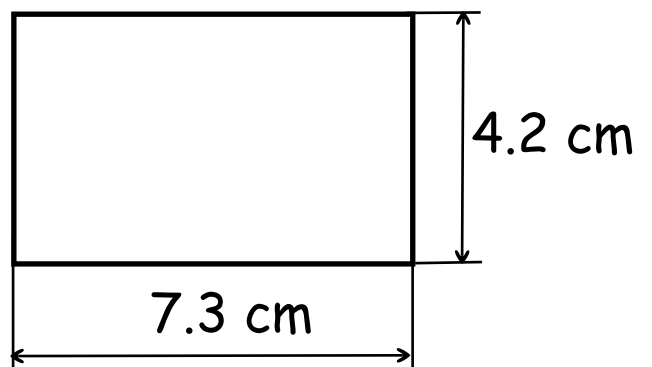
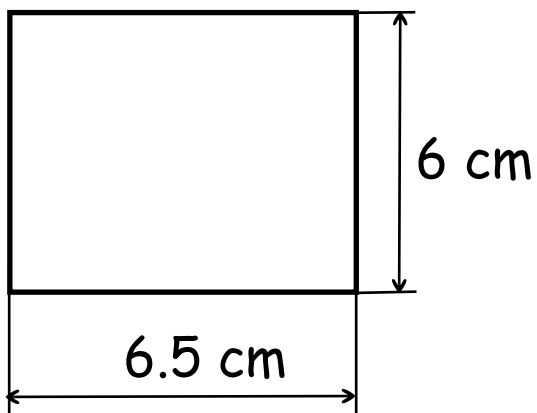
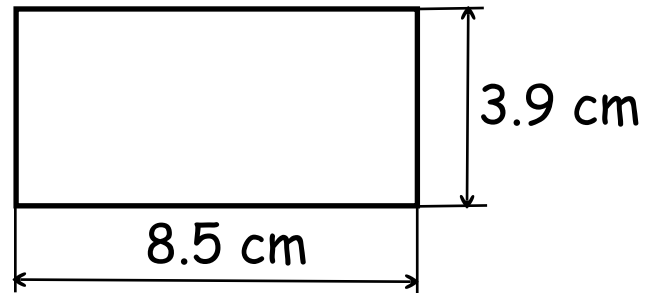
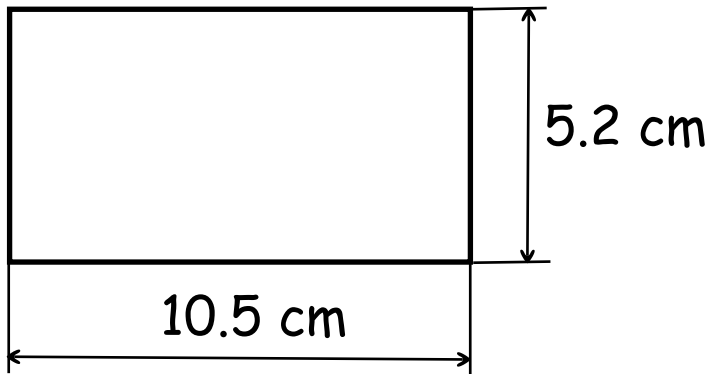
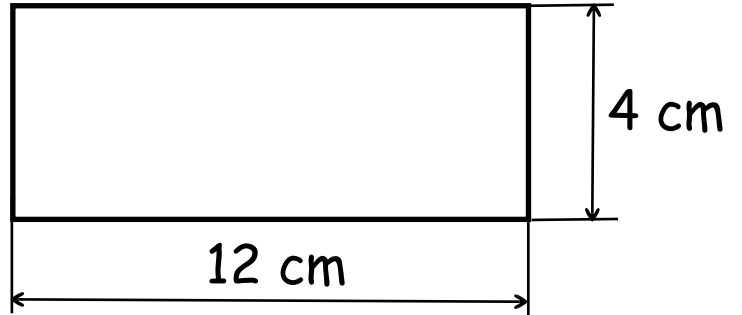
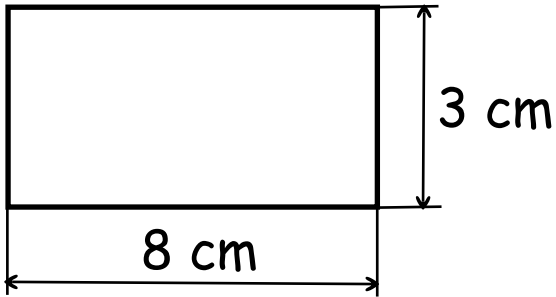


Area of Rectangles - Review



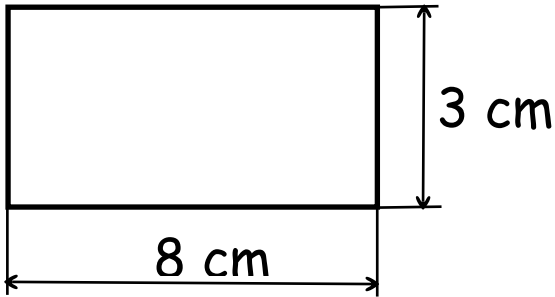
Calculate the areas of these rectangles.



Area of Rectangles - Review



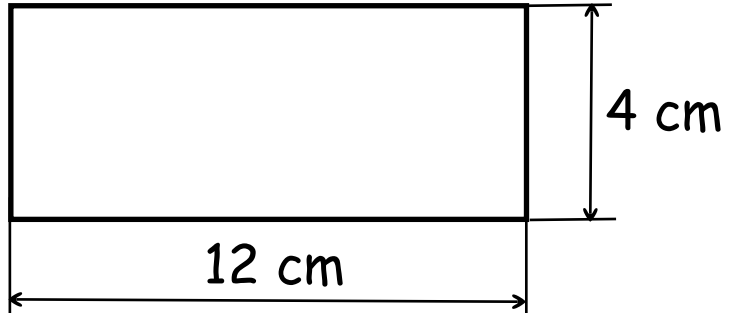
Calculate the areas of these rectangles.



$$\text{Area} = \text{Base} \times \text{Height}$$

$$A = 8 \times 3$$

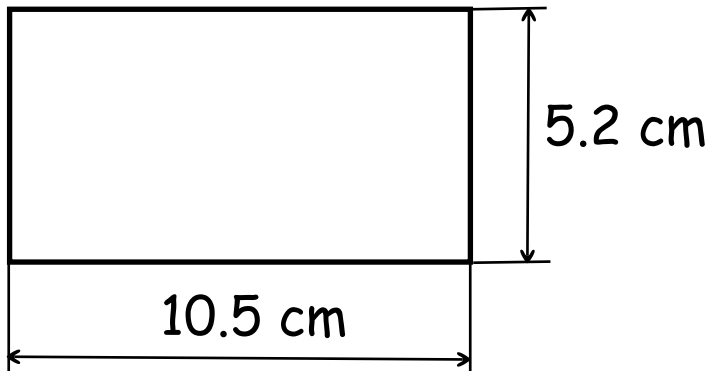
$$A = 24 \text{ cm}^2$$



$$\text{Area} = \text{Base} \times \text{Height}$$

$$A = 12 \times 4$$

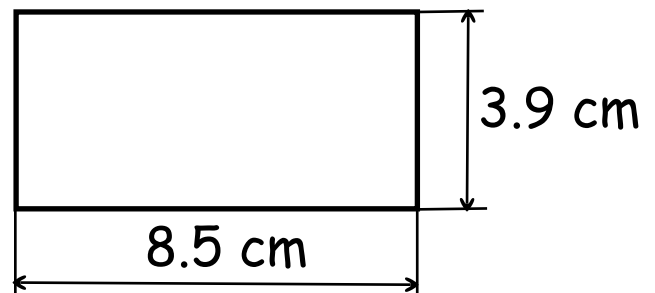
$$A = 48 \text{ cm}^2$$



$$\text{Area} = \text{Base} \times \text{Height}$$

$$A = 10.5 \times 5.2$$

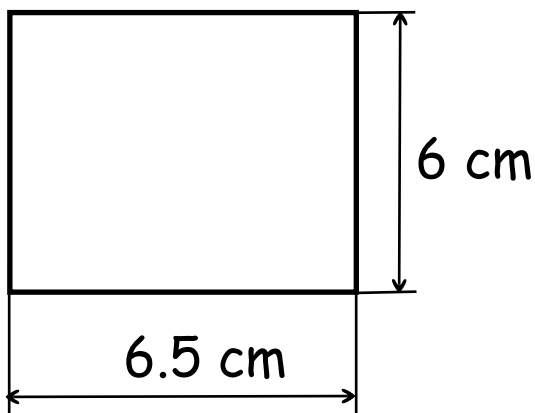
$$A = 54.6 \text{ cm}^2$$



$$\text{Area} = \text{Base} \times \text{Height}$$

$$A = 8.5 \times 3.9$$

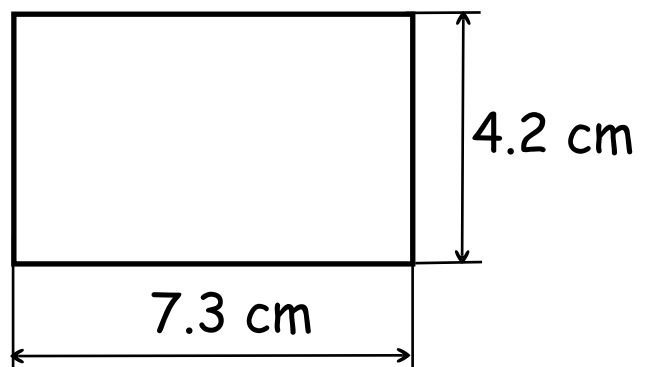
$$A = 33.15 \text{ cm}^2$$



$$\text{Area} = \text{Base} \times \text{Height}$$

$$A = 6.5 \times 6$$

$$A = 39 \text{ cm}^2$$



$$\text{Area} = \text{Base} \times \text{Height}$$

$$A = 7.3 \times 4.2$$

$$A = 30.66 \text{ cm}^2$$